

16V, 3A 高效升压转换器

16V, 3A Boost Converter

■ FEATURES

- Input voltage range: 2.6V to 5.5V
 - Output voltage range: up to 16V
 - Programmable switch peak current limit: up to 3A
 - 0.1 μ A current consumption during shutdown
 - Programmable soft start
 - Output overvoltage protection (at 20V), thermal shutdown protection
 - Pb-free Packages, SOT23-6L
- 输入电压范围: 2.6V-5.5V
 - 输出电压范围: 最高16V
 - 可编程峰值电流: 3A
 - 低关断功耗, 关断电流0.1 μ A
 - 可编程软启动
 - 输出过压 (20V)、热关断等保护
 - SOT23-6L无铅封装

■ APPLICATIONS

- Chargers
 - LCD Displays
 - Digital Cameras
 - Handheld Devices
 - Portable Products
- 充电器
 - LCD显示
 - 数码相机
 - 手持设备
 - 便携设备

DESCRIPTION

The HT7183 is a high-power density, asynchronous boost converter with a 120mΩ power switch to provide a high efficiency and small size solution in portable systems. The HT7183 has input voltage range from 2.6 V to 5.5 V to support applications with different power supply. The device has 3A switch current capability and can provide an output voltage up to 16V.

The HT7183 also implements a soft-start function and an adjustable switching peak current limit function.

In addition, the device provides 20V output overvoltage protection, and thermal shutdown protection.

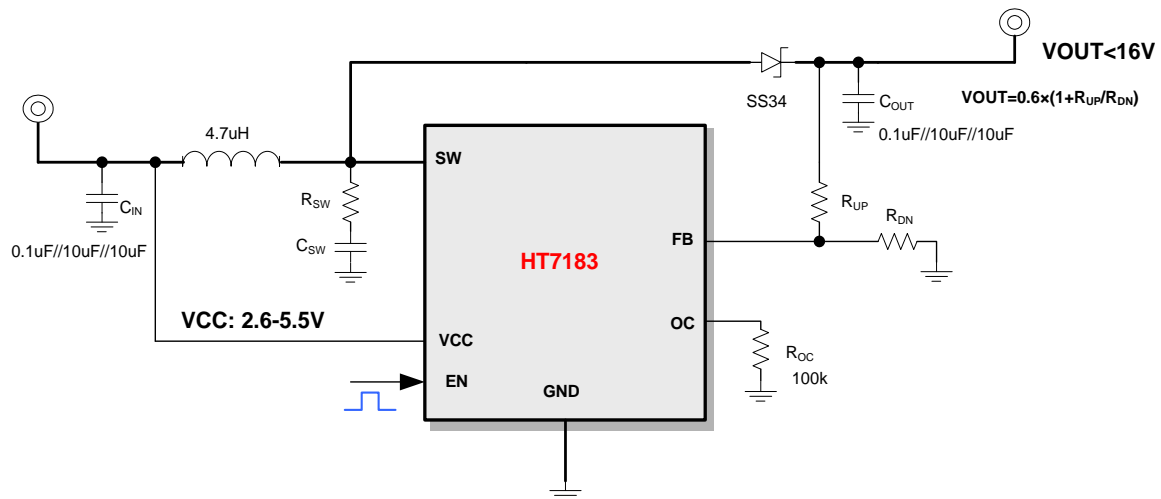
HT7183是一款高功率异步升压转换器，集成120mΩ功率开关管，为便携式系统提供高效的小尺寸解决方案。

HT7183具有2.6V至5.5V输入电压范围，可为各类不同供电的应用提供支持。该器件具备3A开关电流能力，并且能够提供高达16V的输出电压。

HT7183还支持软启动，以及可调节的开关峰值电流限制。

此外，该器件还提供有20V输出过压保护、和热关断保护。

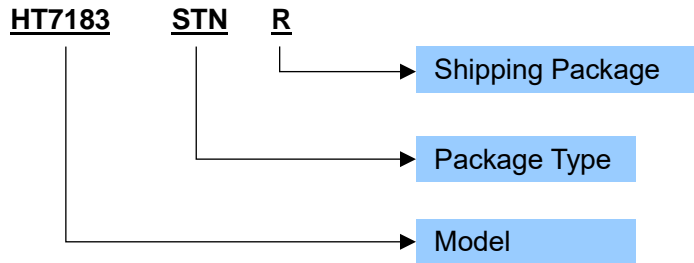
TYPICAL APPLICATION



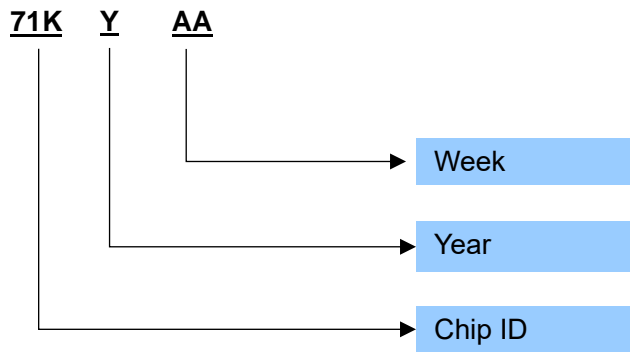
ORDERING INFORMATION

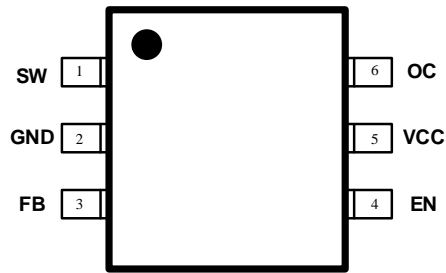
Part Number	Package Type	Marking	Operating Temperature Range	Shipping Package / MOQ
HT7183STNR	SOT23-6 (STN)	71KYAA	-40°C~85°C	Tape and Reel (R) / 3000pcs

Part Number



Marking



■ TERMINAL CONFIGURATION

Top View
■ TERMINAL FUNCTION

Terminal No.	Name	I/O ¹	Description
1	SW	P	The switching node pin of the converter. 开关转换端
2	GND	G	Ground.地
3	FB	I	Voltage feedback. 电压反馈
4	EN	I	Enable logic input. Logic high level enables the device. Logic low level disables the device and turns it into shutdown mode. 使能输入，高电平芯片工作；低电平芯片进入关断状态
5	VCC	P	Power supply. 电源供电
6	OC	I	Adjustable switch peak current limit. An external resistor should be connected between this pin and the GND pin. 峰值电流设置端，接电阻到地

¹ I: Input; O: Output; G: Ground; P: Power; BST: BOOT Strap; OD: Open drain

IMPORTANT NOTICE

注意

Jiaxing Heroic Electronic Technology Co., Ltd (HT) reserves the right to make corrections, modifications, enhancements, improvements, and other changes to its products and services at any time and to discontinue any products or services. Customers should obtain the latest relevant information before placing orders and should verify that such information is current and complete.

嘉兴禾润电子科技有限公司（以下简称HT）保留对产品、服务、文档的任何修改、更正、提高、改善和其他改变，或停止提供任何产品和服务的权利。客户在下单和生产前应确保所得到的信息是最新、最完整的。

HT assumes no liability for applications assistance or customer product design. Customers are responsible for their products and applications using HT components.

HT对相关应用的说明和协助以及客户产品的板级设计不承担任何责任。

HT products are not authorized for use in safety-critical applications (such as life support devices or systems) where a failure of the HT product would reasonably be expected to affect the safety or effectiveness of that devices or systems.

HT的产品并未授权用于诸如生命维持设备等安全性极高的应用中。

The information included herein is believed to be accurate and reliable. However, HT assumes no responsibility for its use; nor for any infringement of patents or other rights of third parties which may result from its use.

本文中的相关信息是精确和可靠的，但HT并不对其负责，也不对任何可能的专利和第三方权利的侵害负责。

Following are URLs and contacts where you can obtain information or supports on any HT products and application solutions:

下面是可以联系到我公司的相关链接和联系方式：

嘉兴禾润电子科技有限公司

Jiaxing Heroic Electronic Technology Co., Ltd.

地址：浙江省嘉兴市凌公塘路3339号JRC大厦A座三层

Add: A 3rd floor, JRC Building, No. 3339, LingGongTang Road, Jiaxing, Zhejiang Province

Sales: 0573-82585539, sales@heroic.com.cn

Support: 0573-82586151, support@heroic.com.cn

Fax: 0573-82585078

Website: www.heroic.com.cn; wap.heroic.com.cn

Wechat MP: HEROIC_JX

请及时关注禾润官方微信公众号，随时获取最新产品信息和技术资料！

