

5.2W Anti-Clipping Mono Class D/AB Audio Amplifier with Adaptive Charge Pump Regulator

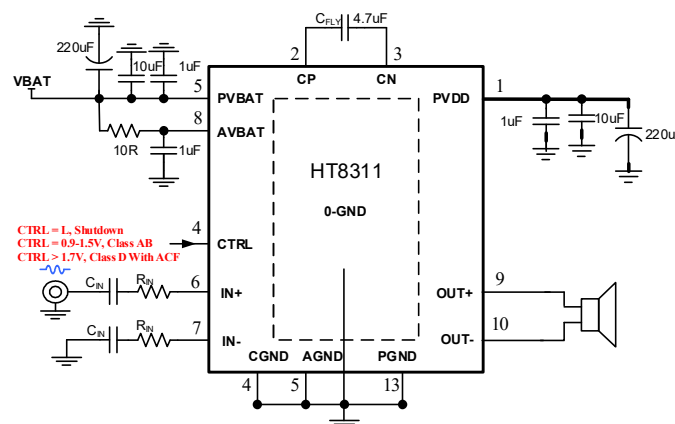
FEATURE

- 4 modes of Anti-Clipping Function (ACF)
- Adaptive Charge Pump Regulator
- Maximum Voltage Gain: 28dB
- Output Power
 - 5.2W ($V_{BAT}=4.2V, R_L=4\Omega, THD+N=10\%$)
 - 4.0W ($V_{BAT}=3.7V, R_L=4\Omega, THD+N=10\%$)
 - 3.0W ($V_{BAT}=3.3V, R_L=4\Omega, THD+N=10\%$)
- Efficiency
 - 84% ($V_{BAT} = 3.7V, R_L = 4 \Omega, P_o = 0.4W$)
 - 75% ($V_{BAT} = 3.7V, R_L = 4 \Omega, P_o = 2.0W$)
- Power Supply
 - Input V_{BAT} : 2.7V to 5.5V
 - Output CPOUT: 6.4V
- Quiescent Current: 3mA
- Shutdown Current: <1uA
- Class AB / Class D selectable
- Filter-less Modulation, Eliminating Output Filter
- Over Current Protection, Thermal Protection, Low voltage malfunction prevention function included
- Pb-Free Packages , SOP10L-PP

APPLICATIONS

- Smart Speakers • Wireless Speakers
- Portable Audio Devices • Smart Phones

TYPICAL APPLICATION



GENERAL DESCRIPTION

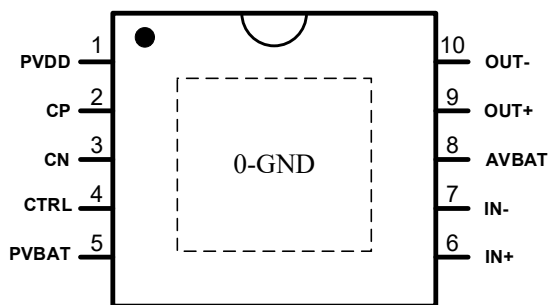
HT8311 is a Class D audio amplifier which can deliver continuous 5.2W output power into a 4Ω speaker with 4.2V battery supply when THD+N = 10%. The class D audio amplifier's power supply is adaptively boosted by the integrated charge pump regulator which only works while the output power is big enough. This will significantly extend the playing time in battery supply applications. HT8311 features Anti-Clipping Function (ACF) which detects output signal clip due to the over input signal and suppresses the output signal clip automatically. Also, it can adapt the output clip caused by power supply voltage down. It can significantly improve the sound quality, creating a very comfortable musical enjoyment, and to protect the speakers from overload damage. It also provides ACF OFF mode.

Class AB amplifier mode is also available for HT8311. Once the EMI Interference from class D and Boost Converter becomes an annoying problem, HT8311 can be changed into Class AB mode.

HT8311 has a filter-less modulation circuit which directly drives speakers while realizes low distortion and low noise characteristics. Thanks to filter-less, circuit design with fewer external parts can be made in portable applications.

HT8311 has an internal gain of 28dB and an independent Shutdown function which can minimize the power consumption. As for protection function, over current protection function for speaker output terminals, over temperature protection function, and low supply voltage malfunction preventing function are also prepared.

■ TERMINAL CONFIGURATION



HT8311SPEX (SOP10L-PP) Top View

■ TERMINAL FUNCTION ¹

SOP Terminal No.	Name	I/O	ESD Protection	Description
0	GND	GND	--	Ground
1	PVDD	POWER	PN	Power supply for audio amplifier
2	CP	I	PN	Flying capacitor positive terminal
3	CN	I	PN	Flying capacitor negative terminal
4	CTRL	I	PN	Mode selection terminal. When it is pulled low, the device goes into shutdown mode.
5	PVBAT	POWER	PN	Power supply for the charge pump regulator
6	IN+	I	PN	Positive audio input terminal
7	IN-	I	PN	Negative audio input terminal
8	AVBAT	POWER	PN	Analog power supply
9	OUT+	O	PN	Positive BTL audio output
10	OUT-	O	PN	Negative BTL audio output

■ ORDERING INFORMATION

Part Number	Package Type	Marking	Operating Temperature Range	Container/MOQ
HT8311SPET	SOP10L-PP	HT8311 _{SP}	-40°C~85°C	Tube/100PCS
HT8311SPER	SOP10L-PP	HT8311 _{SP}	-40°C~85°C	Tape and Reel/2500PCS

¹ I: Input; O: Output

IMPORTANT NOTICE

注意

Jiaxing Heroic Electronic Technology Co., Ltd (HT) reserves the right to make corrections, modifications, enhancements, improvements, and other changes to its products and services at any time and to discontinue any products or services without notice. Customers should obtain the latest relevant information before placing orders and should verify that such information is current and complete.

嘉兴禾润电子科技有限公司（以下简称HT）保留对产品、服务、文档的任何修改、更正、提高、改善和其他改变，或停止提供任何产品和服务，并不提供任何通知的权利。客户在下单和生产前应确保所得到的信息是最新、最完整的。

HT assumes no liability for applications assistance or customer product design. Customers are responsible for their products and applications using HT components.

HT对相关应用的说明和协助以及客户产品的板级设计不承担任何责任。

HT products are not authorized for use in safety-critical applications (such as life support devices or systems) where a failure of the HT product would reasonably be expected to affect the safety or effectiveness of that devices or systems.

HT的产品并未授权用于诸如生命维持设备等安全性极高的应用中。

The information included herein is believed to be accurate and reliable. However, HT assumes no responsibility for its use; nor for any infringement of patents or other rights of third parties which may result from its use.

本文中的相关信息是精确和可靠的，但HT并不对其负责，也不对任何可能的专利和第三方权利的伤害负责。

Following are URLs and contacts where you can obtain information or supports on any HT products and application solutions:

下面是可以联系到我公司的相关链接和联系方式：

嘉兴禾润电子科技有限公司

Jiaxing Heroic Electronic Technology Co., Ltd.

地址：浙江省嘉兴市凌公塘路3339号JRC大厦A座三层

Add: A 3rd floor, JRC Building, No. 3339, LingGongTang Road, Jiaxing, Zhejiang Province

Sales: 0573-82585539, sales@heroic.com.cn

Support: 0573-82586151, support@heroic.com.cn

Fax: 0573-82585078

Website: www.heroic.com.cn; wap.heroic.com.cn

Wechat MP: HEROIC_JX

请及时关注禾润官方微信公众号，随时获取最新产品信息和技术资料！

